

SECTION - TYPICAL SLEEPER WALL

DESIGN PARAMETERS

- DESIGN IS BASED UPON:
EARTH-RETAINING STRUCTURES CODE AS 4678-2002
CONCRETE STRUCTURES CODE AS3600-2001
BUILDING CODE OF AUSTRALIA
PROTOTYPE TESTING AT THE UNIVERSITY OF QUEENSLAND
- LAND SLIPS (e.g. SLIP CIRCLE FAILURE MECHANISMS) HAVE NOT BEEN CONSIDERED IN THE RETAINING WALL DESIGN. THE DESIGN IS BASED UPON THE ASSUMPTION THAT THE WALL IS FOUNDED ON GROUND NOT SUBJECT TO SLIP. THE DETERMINATION OF THE SITE SUSCEPTIBILITY TO SLIP IS THE RESPONSIBILITY OF THE PROJECT ENGINEER AND THE GEOTECHNICAL CONSULTANT.

- REFER DESIGN CERTIFICATION FOR RETAINED AND FOUNDING SOIL DESIGN PARAMETERS, DESIGN SURCHARGE LOADS and WALL DESIGN GEOMETRY

CONCRETE STANDARD - AS3600
STANDARD DESIGN EXPOSURE CLASSIFICATION
SLEEPERS & POSTS - B1, FOOTINGS - A1

ELEMENT	GRADE	SLUMP	MIN. COVER
SLEEPER	N50	50mm	20mm * **
POST	N50	50mm	20mm * **
FOOTING	N25	80mm	70mm

- * RIGID FORMWORK & INTENSE COMPACTION
- ** MINIMUM SPECIFIED COVER 25mm.

REINFORCEMENT STANDARD - AS/NZS 4671
YIELD 500 MPa; DUCTILITY CLASS N

- ALL SURFACE AND SUBSURFACE DRAINAGE SHALL BE DESIGNED IN ACCORDANCE WITH AS4678-2002.

RETAINING WALL HEIGHT 'H' (mm)	PIER STEM WIDTH 'W' (mm)	REINFORCING BARS
600	170	2N12
750	180	2N12
900	190	2N16
1050	200	2N16
1200	210	2N16
1350	220	2N16
1500	230	2N16
1650	240	2N16
1800	250	2N20
1950	260	2N20
2100	270	2N20
2250	280	2N20
2400	290	2N20
2550	300	2N20

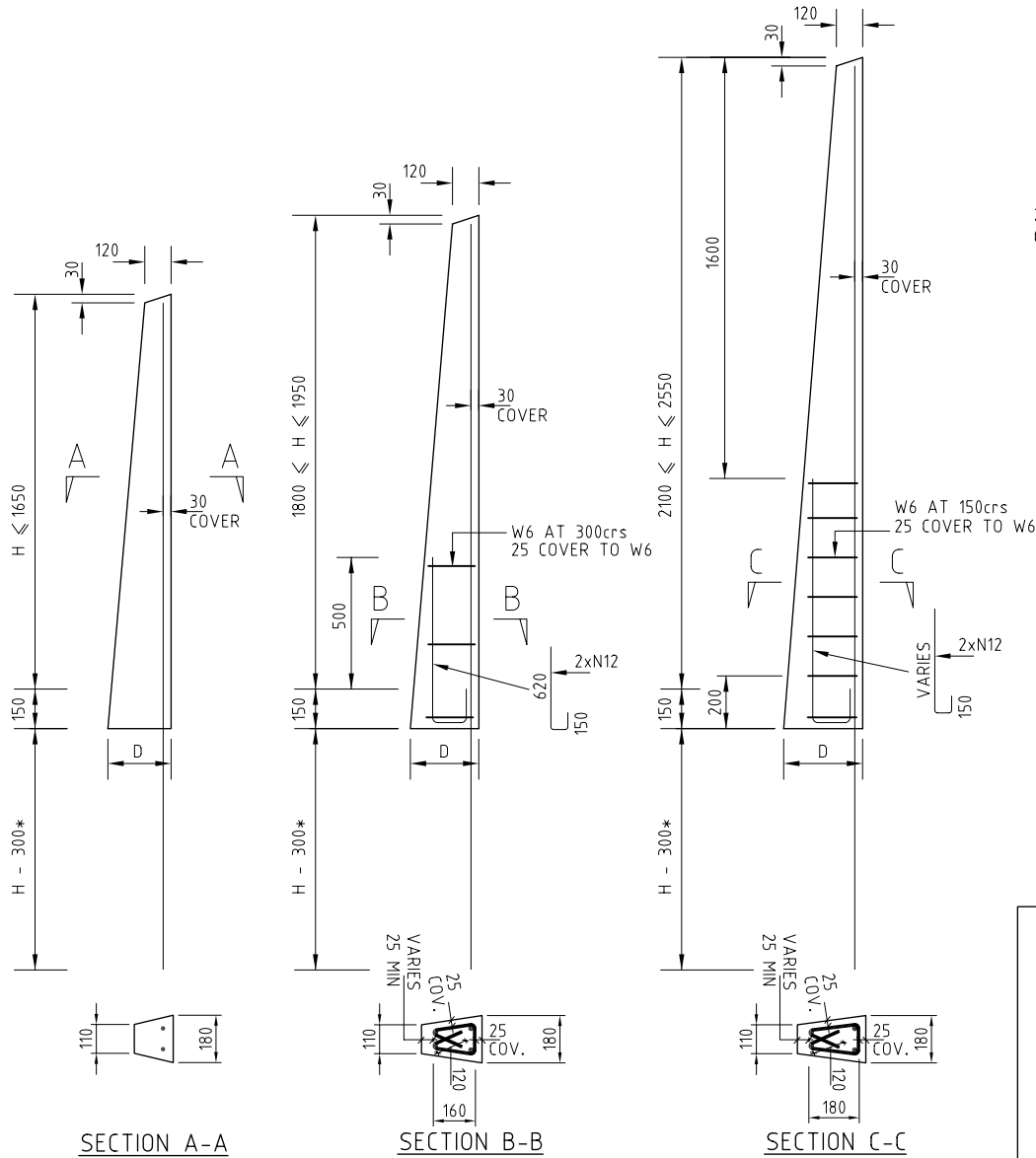
CONCRIB[®] SEGMENTAL RETAINING SLEEPER WALLS SHALL:

- BE DESIGNED IN ACCORDANCE WITH AS 4678 - 2002
- BE CONSTRUCTED IN ACCORDANCE WITH CONCRIB SPECIFICATION MC.02 & MANUFACTURERS RECOMMENDATIONS.
- HAVE SURFACE AND SUBSURFACE DRAINAGE DESIGNED IN ACCORDANCE WITH AS4678 - 2002
- HAVE GEOTECHNICAL DESIGN AND VERIFICATION CARRIED OUT BY A SUITABLY QUALIFIED AND EXPERIENCED GEOTECHNICAL ENGINEER (E.G FOUNDATION, SLOPE STABILITY & DRAINAGE DESIGN/SPECIFICATION)

CONCRIB
PTY. LTD.

Designed By	Date	Project Title	Drawing Title		
Drawn By	Date	CONCRIB SEGMENTAL RETAINING SLEEPER WALLS SYSTEM DETAILS	STANDARD SLEEPER WALL SECTION		
Approved	Date	Client/Developer	Scale 1:20	AutoCad Ref	
			Project No RS STD-C-S	Dwg. No 1	Revision A

A	FOR INFORMATION ONLY	Engineer	Approved	Date
Rev.	Issue/Revision - Revise on CAD			

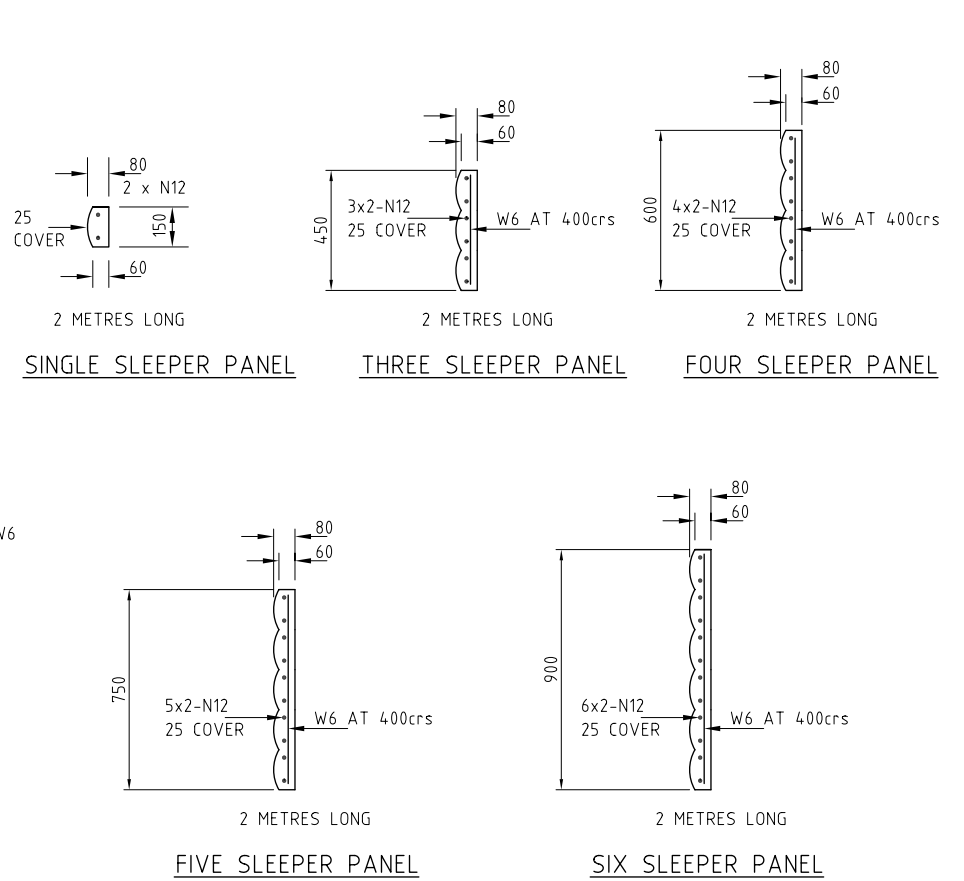


SECTION A-A

SECTION B-B

SECTION C-C

PIER ELEVATIONS



SINGLE SLEEPER PANEL

THREE SLEEPER PANEL

FOUR SLEEPER PANEL

FIVE SLEEPER PANEL

SIX SLEEPER PANEL

CONCRIB® SEGMENTAL RETAINING SLEEPER WALLS SHALL:

1. BE DESIGNED IN ACCORDANCE WITH AS 4678 - 2002
2. BE CONSTRUCTED IN ACCORDANCE WITH CONCRIB SPECIFICATION MC.02 & MANUFACTURERS RECOMMENDATIONS.
3. HAVE SURFACE AND SUBSURFACE DRAINAGE DESIGNED IN ACCORDANCE WITH AS4678 - 2002
4. HAVE GEOTECHNICAL DESIGN AND VERIFICATION CARRIED OUT BY A SUITABLY QUALIFIED AND EXPERIENCED GEOTECHNICAL ENGINEER (E.G FOUNDATION, SLOPE STABILITY & DRAINAGE DESIGN/SPECIFICATION)



Designed By	Date	Project Title CONCRIB SEGMENTAL RETAINING SLEEPER WALLS SYSTEM DETAILS	Drawing Title STANDARD PIER ELEVATIONS & SECTIONS SLEEPER PANEL DETAILS		
Drawn By	Date		Client/Developer	Scale 1:20	AutoCad Ref
Approved	Date		Project No RS STD-C-S	Dwg. No 2	Revision A

A	FOR INFORMATION ONLY	Engineer	Approved	Date
Rev.	Issue/Revision - Revise on CAD			