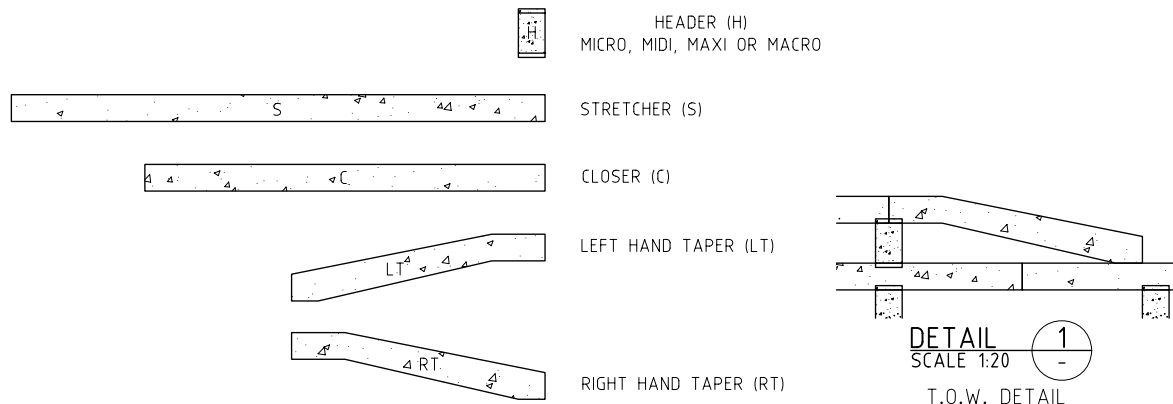


STANDARD ELEVATION

CONCRIB® SEGMENTAL RETAINING CRIBWALLS SHALL:

1. BE DESIGNED IN ACCORDANCE WITH AS 4678 - 2002
2. BE CONSTRUCTED IN ACCORDANCE WITH CONCRIB SPECIFICATION MC.01 & MANUFACTURERS RECOMMENDATIONS.
3. HAVE SURFACE AND SUBSURFACE DRAINAGE DESIGNED IN ACCORDANCE WITH AS4678 - 2002
4. HAVE GEOTECHNICAL DESIGN AND VERIFICATION CARRIED OUT BY A SUITABLY QUALIFIED AND EXPERIENCED GEOTECHNICAL ENGINEER (E.G FOUNDATION, SLOPE STABILITY & DRAINAGE DESIGN/SPECIFICATION)

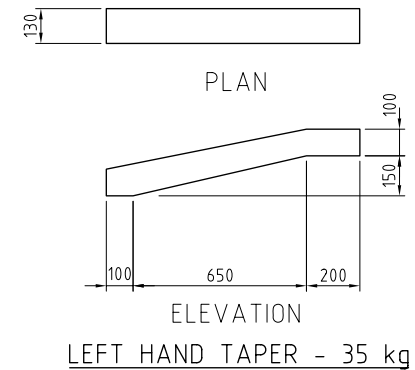
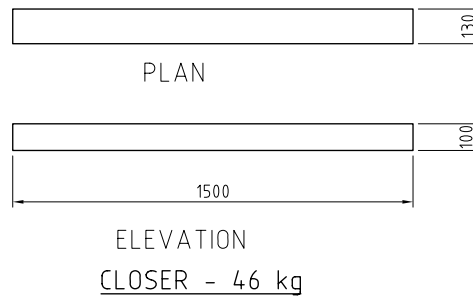
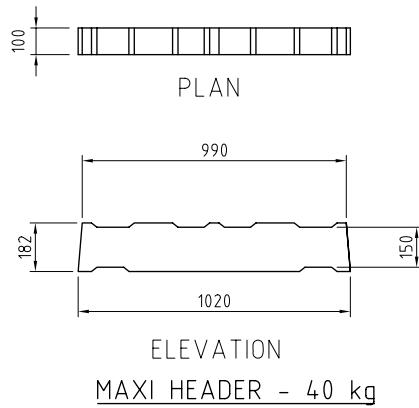
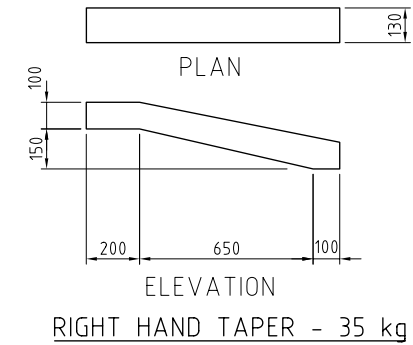
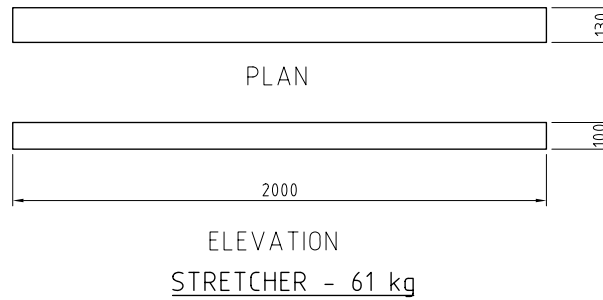
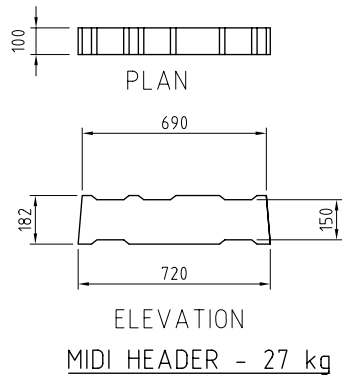
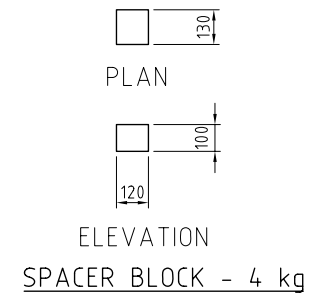
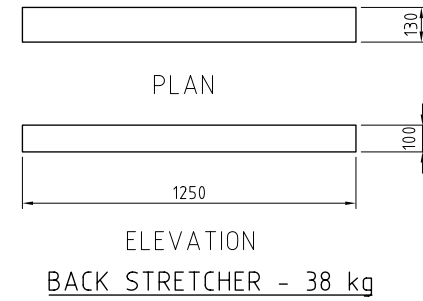
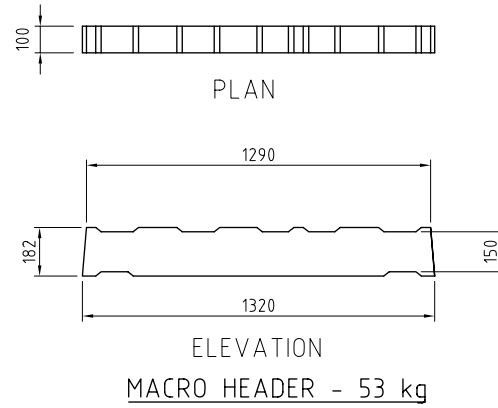
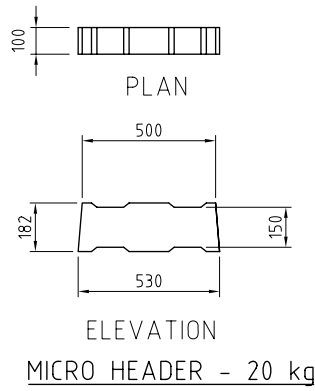


LEGEND
REFER STD COMPONENT DRAWING



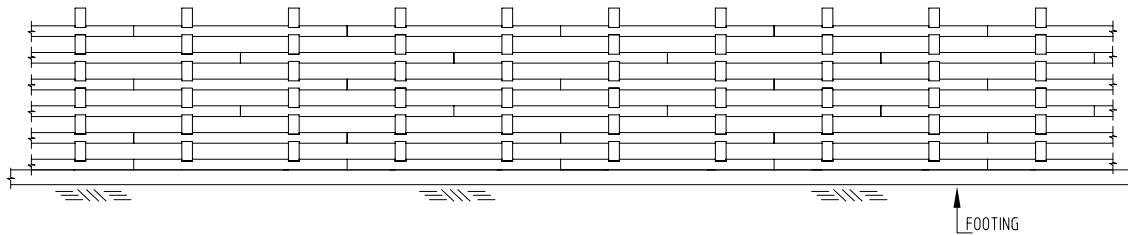
A	FOR INFORMATION PURPOSES			
Rev.	Issue/Revision - Revise on CAD	Engineer	Approved	Date

Designed By	Date	Project Title CONCRIB SEGMENTAL RETAINING CRIBWALLS	Drawing Title STANDARD WALL ELEVATION		
Drawn By	Date		Scale 1:50, 1:20	AutoCad Ref	
Approved	Date	Client/Developer	Project No RS STD-WALL ELE	Dwg. No 1	Revision A

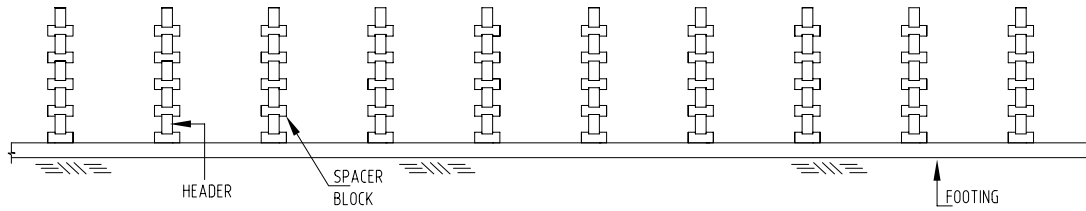


A	FOR INFORMATION PURPOSES			
Rev.	Issue/Revision - Revise on CAD	Engineer	Approved	Date

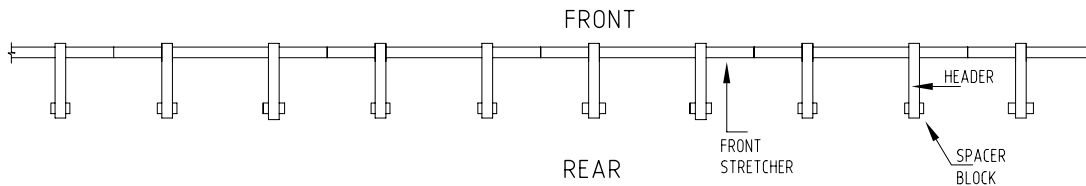
Designed By	Date	Project Title CONCRIB SEGMENTAL RETAINING CRIBWALLS	Drawing Title STANDARD COMPONENT DETAILS		
Drawn By	Date		Scale 1:20	AutoCad Ref	
Approved	Date		Client/Developer	Project No RS STD-COMP	Dwg. No 2



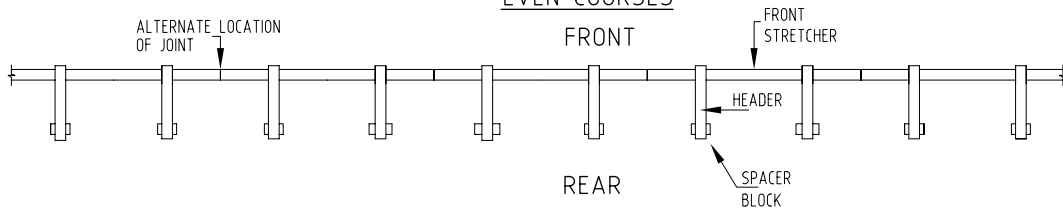
FRONT ELEVATION



REAR ELEVATION



EVEN COURSES

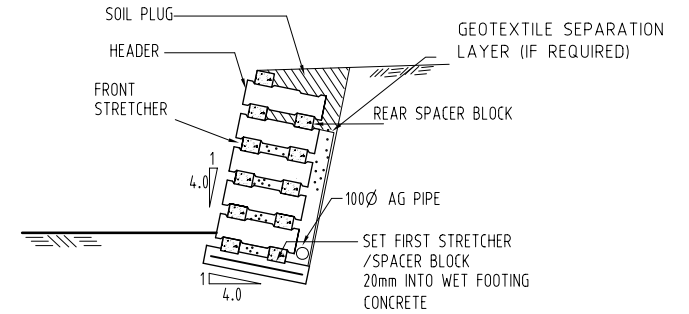


ODD COURSES

PLAN VIEW

ARRANGEMENT OF UNITS IN SINGLE HEADER LITE CONSTRUCTION:

1. FRONT FACE OF WALL TO BE STRETCHERS CONTINUOUS AND CLOSERS AT ENDS WITH JOINT IN STRETCHERS STAGGERED IN ALTERNATE COURSES.
2. HEADERS AT 1m CENTRES BETWEEN FRONT OF WALL AND REAR.
3. REAR ROW TO CONSIST OF SPACER BLOCKS ONLY. i.e. BACK STRETCHERS ARE NOT USED.



TYPICAL CONCRIB WALL 1 : 50
CROSS SECTION

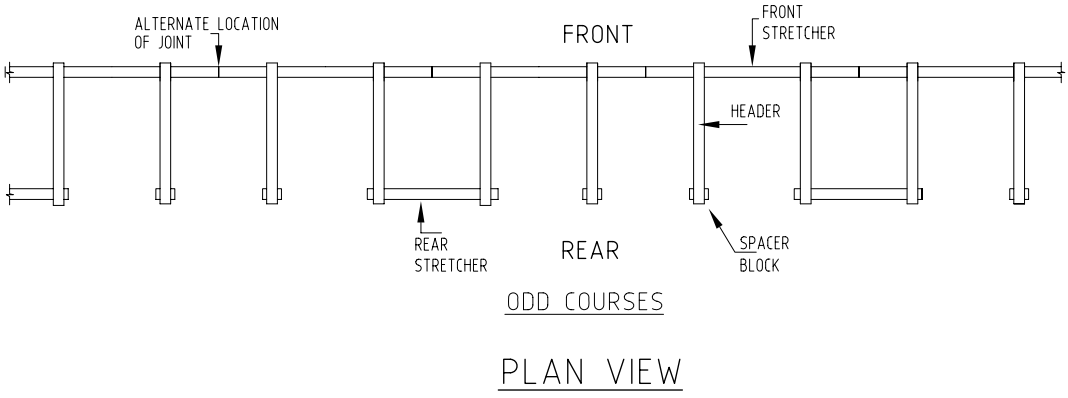
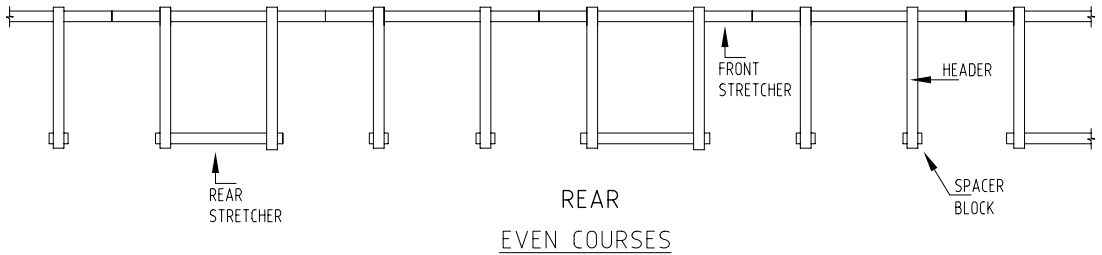
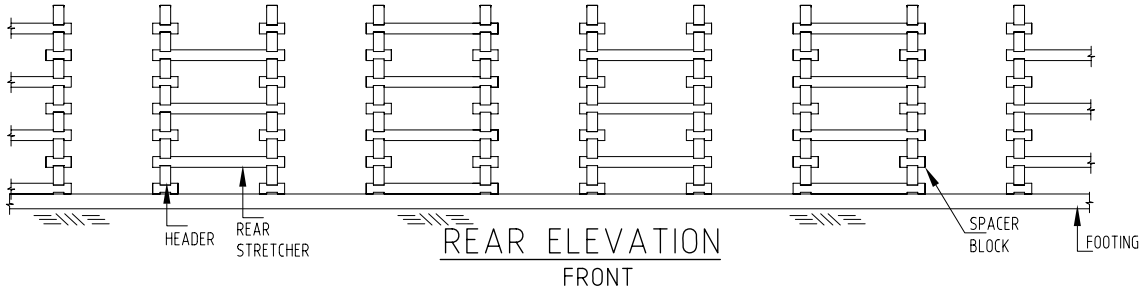
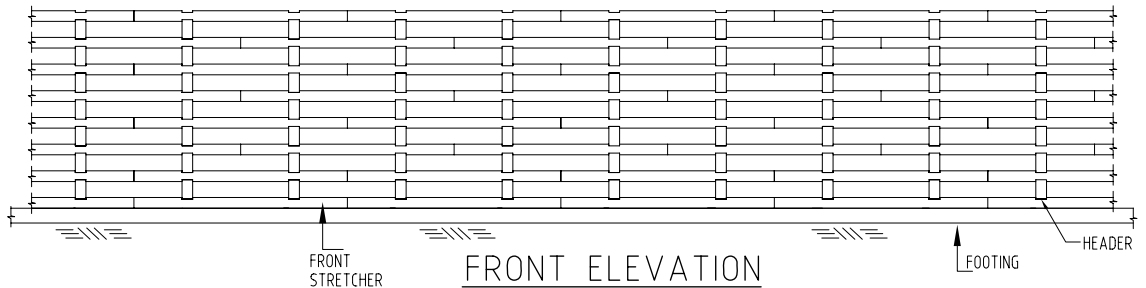
CONCRIB® SEGMENTAL RETAINING CRIBWALLS SHALL:

1. BE DESIGNED IN ACCORDANCE WITH AS 4678 - 2002
2. BE CONSTRUCTED IN ACCORDANCE WITH CONCRIB SPECIFICATION MC.01 & MANUFACTURERS RECOMMENDATIONS.
3. HAVE SURFACE AND SUBSURFACE DRAINAGE DESIGNED IN ACCORDANCE WITH AS4678 - 2002
4. HAVE GEOTECHNICAL DESIGN AND VERIFICATION CARRIED OUT BY A SUITABLY QUALIFIED AND EXPERIENCED GEOTECHNICAL ENGINEER (E.G FOUNDATION, SLOPE STABILITY & DRAINAGE DESIGN/SPECIFICATION)



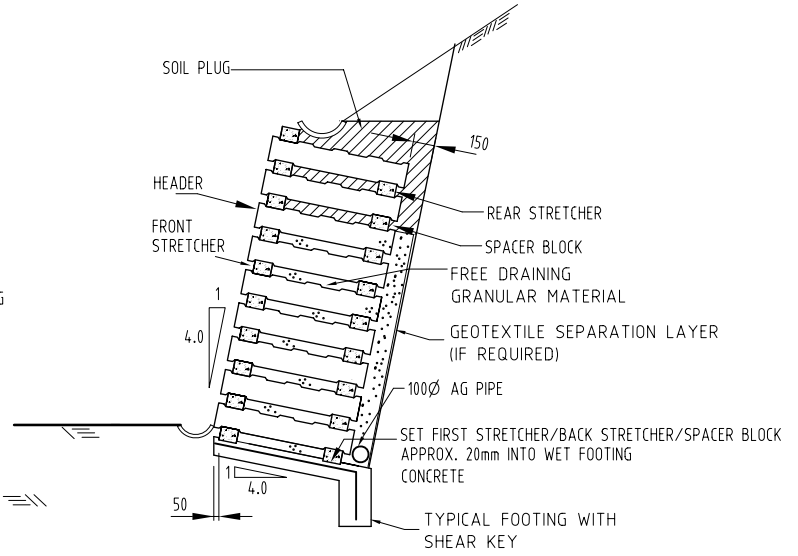
A	FOR INFORMATION PURPOSES			
Rev.	Issue/Revision - Revise on CAD	Engineer	Approved	Date

Designed By	Date	Project Title CONCRIB SEGMENTAL RETAINING CRIBWALLS (LITE) SINGLE HEADER CONSTRUCTION SYSTEM DETAILS	Drawing Title STANDARD WALL DETAILS		
Drawn By	Date		Scale 1:50	AutoCad Ref	
Approved	Date		Client/Developer	Project No RS STD-CW L-S-H	Dwg. No 3



ARRANGEMENT OF UNITS IN SINGLE HEADER CONSTRUCTION:

1. FRONT FACE OF WALL TO BE STRETCHERS CONTINUOUS AND CLOSERS AT ENDS WITH JOINT IN STRETCHERS STAGGERED IN ALTERNATE COURSES.
2. HEADERS AT 1m CENTRES BETWEEN FRONT OF WALL AND REAR.
3. REAR ROW OF STRETCHERS TO CONSIST OF REAR STRETCHER ALTERNATING WITH TWO SPACER BLOCKS ALONG THE COURSE, WITH THE LOCATION OF REAR STRETCHER AND SPACER BLOCKS ALTERNATING WITH ALTERNATE VERTICAL COURSES.



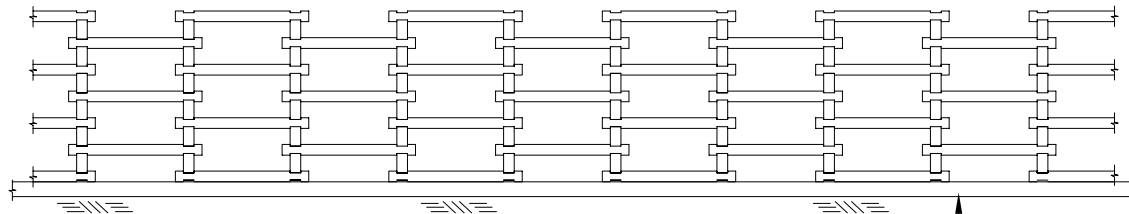
TYPICAL CONCRIB WALL CROSS SECTION 1 : 50

- CONCRIB® SEGMENTAL RETAINING CRIBWALLS SHALL:**
1. BE DESIGNED IN ACCORDANCE WITH AS 4678 - 2002
 2. BE CONSTRUCTED IN ACCORDANCE WITH CONCRIB SPECIFICATION MC.01 & MANUFACTURERS RECOMMENDATIONS.
 3. HAVE SURFACE AND SUBSURFACE DRAINAGE DESIGNED IN ACCORDANCE WITH AS4678 - 2002
 4. HAVE GEOTECHNICAL DESIGN AND VERIFICATION CARRIED OUT BY A SUITABLY QUALIFIED AND EXPERIENCED GEOTECHNICAL ENGINEER (E.G FOUNDATION, SLOPE STABILITY & DRAINAGE DESIGN/SPECIFICATION)

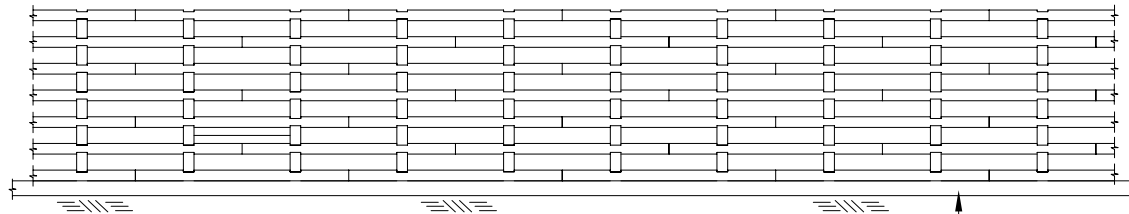
A	FOR INFORMATION PURPOSES			
Rev.	Issue/Revision - Revise on CAD	Engineer	Approved	Date



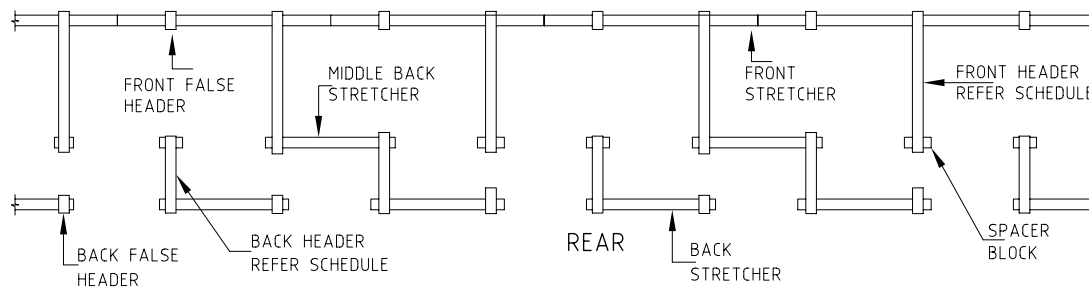
Designed By	Date	Project Title CONCRIB SEGMENTAL RETAINING CRIBWALLS SINGLE HEADER CONSTRUCTION SYSTEM DETAILS	Drawing Title STANDARD WALL DETAILS		
Drawn By	Date		Scale 1:50	AutoCad Ref	
Approved	Date		Client/Developer	Project No RS STD-CW D-H	Dwg. No 4



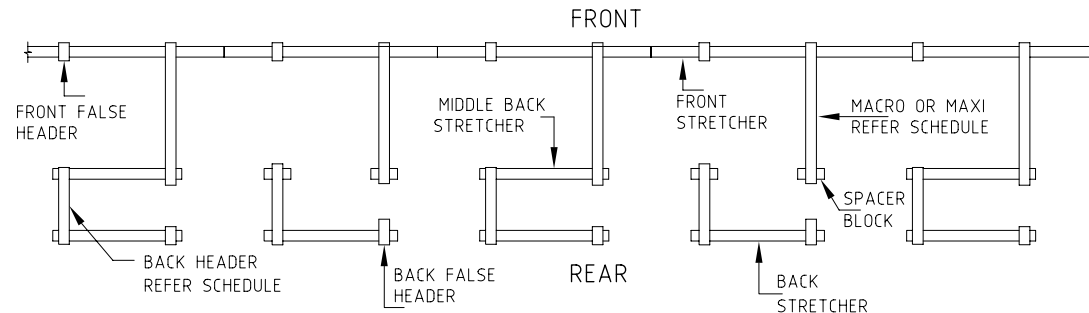
REAR ELEVATION



FRONT ELEVATION



EVEN COURSES

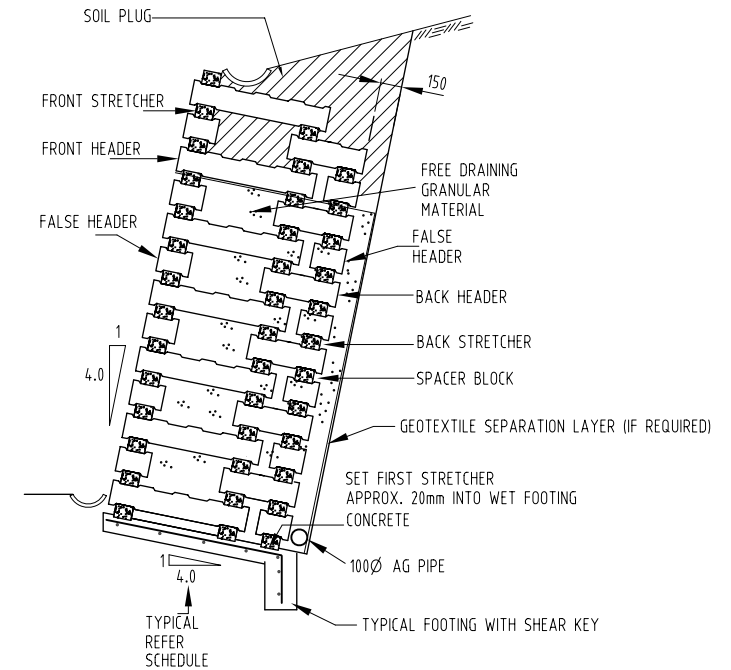


ODD COURSES

ARRANGEMENT OF UNITS IN DOUBLE HEADER CONSTRUCTION:

CONSTRUCTION:

1. FRONT FACE OF WALL TO BE CONTINUOUS WITH STRETCHERS WITH CLOSERS AT ENDS AS PER STANDARD SINGLE HEADER WALLS
2. ALTERNATE HEADERS WITH FALSE HEADERS BETWEEN FRONT OF WALL AND CENTRE ROW. ALTERNATE LOCATION OF HEADER AND FALSE HEADER IN ALTERNATE COURSES.
3. CENTRE ROW OF STRETCHERS TO BE FULL BACK STRETCHER THEN TWO SPACER BLOCKS WITH STRETCHER AND SPACER BLOCKS ALTERNATING IN LOCATION IN ALTERNATE COURSES.
4. ALTERNATE HEADER WITH FALSE HEADERS BETWEEN CENTRE ROW AND REAR OF WALL. ALTERNATE LOCATION OF HEADER AND FALSE HEADER IN ALTERNATE COURSES.
5. REAR ROW OF STRETCHERS TO BE DISCONTINUOUS BUT SUPPORTING ALL HEADERS WITH LOCATION OF STRETCHER ALTERNATING IN LOCATION IN ALTERNATE COURSES. SUPPORT END OF STRETCHER WITH FALSE HEADER.



TYPICAL CONCRIB WALL FOOTING 1 : 50

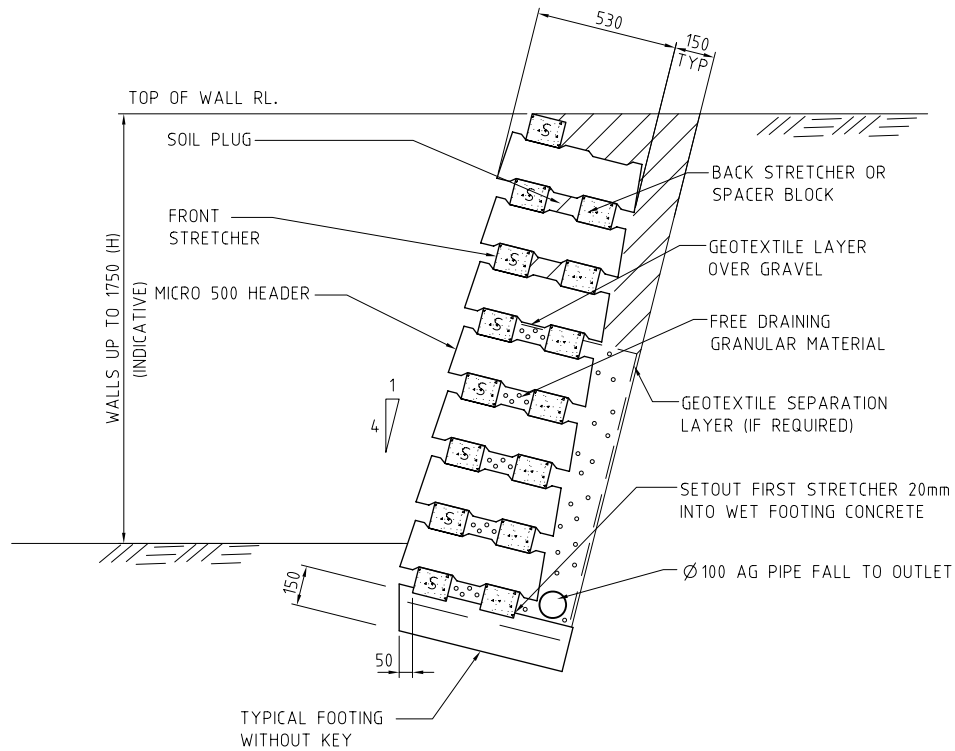
A	FOR INFORMATION PURPOSES			
Rev.	Issue/Revision - Revise on CAD	Engineer	Approved	Date



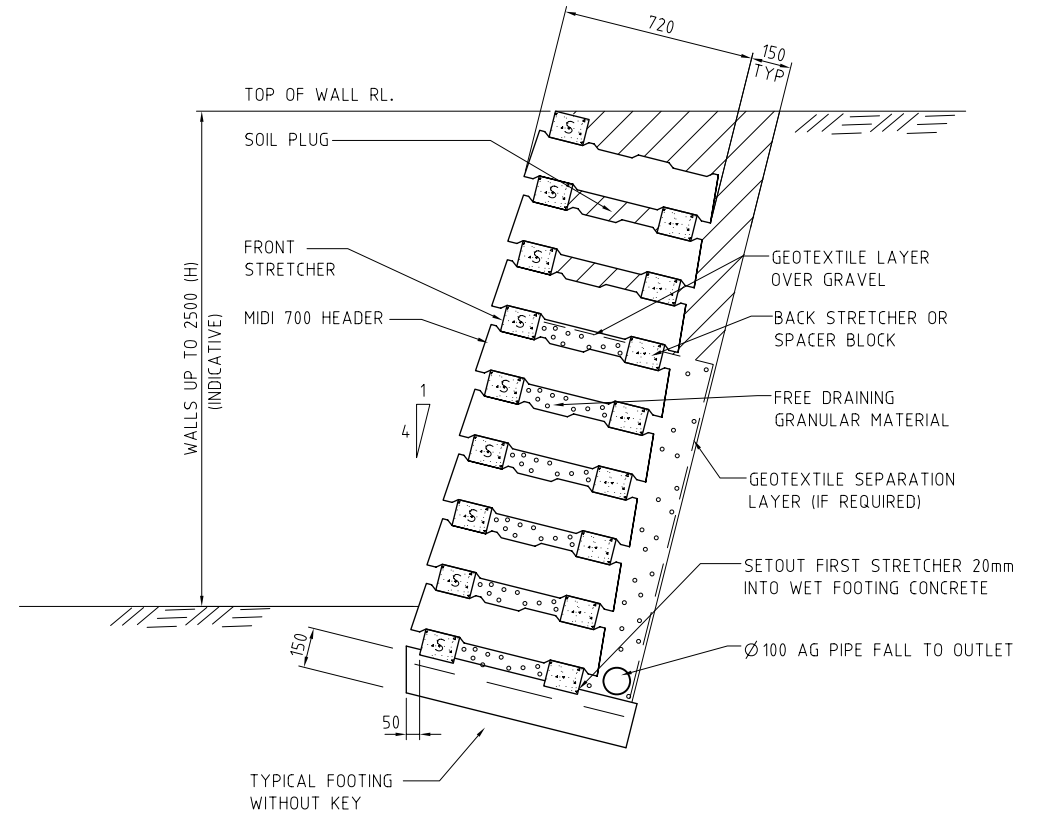
Designed By	Date	Project Title CONCRIB SEGMENTAL RETAINING CRIBWALLS DOUBLE HEADER CONSTRUCTION SYSTEM DETAILS	Drawing Title STANDARD WALL DETAILS		
Drawn By	Date		Scale 1:50	AutoCad Ref	
Approved	Date		Client/Developer	Project No RS STD-CW D-H	Dwg. No 5

CONCRIB® SEGMENTAL RETAINING CRIBWALLS SHALL:

1. BE DESIGNED IN ACCORDANCE WITH AS 4678 - 2002
2. BE CONSTRUCTED IN ACCORDANCE WITH CONCRIB SPECIFICATION MC.01 & MANUFACTURERS RECOMMENDATIONS.
3. HAVE SURFACE AND SUBSURFACE DRAINAGE DESIGNED IN ACCORDANCE WITH AS4678 - 2002
4. HAVE GEOTECHNICAL DESIGN AND VERIFICATION CARRIED OUT BY A SUITABLY QUALIFIED AND EXPERIENCED GEOTECHNICAL ENGINEER (E.G FOUNDATION, SLOPE STABILITY & DRAINAGE DESIGN/SPECIFICATION)



MICRO 500 HEADER



MIDI 700 HEADER

CONCRIB
PTY. LTD.

Designed By _____ Date _____
Drawn By _____ Date _____
Approved _____ Date _____

Project Title
CONCRIB SEGMENTAL RETAINING CRIBWALLS
Client/Developer _____

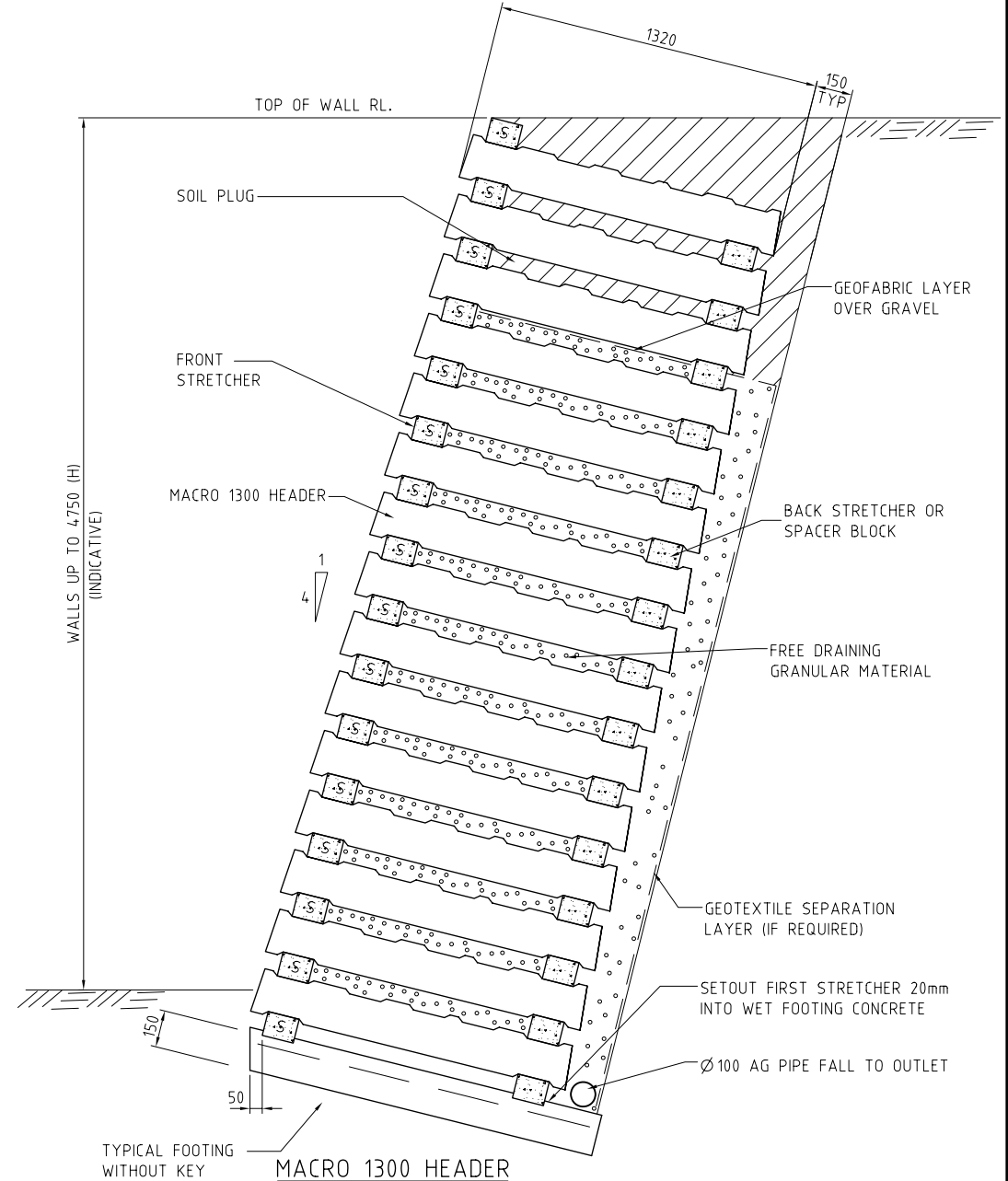
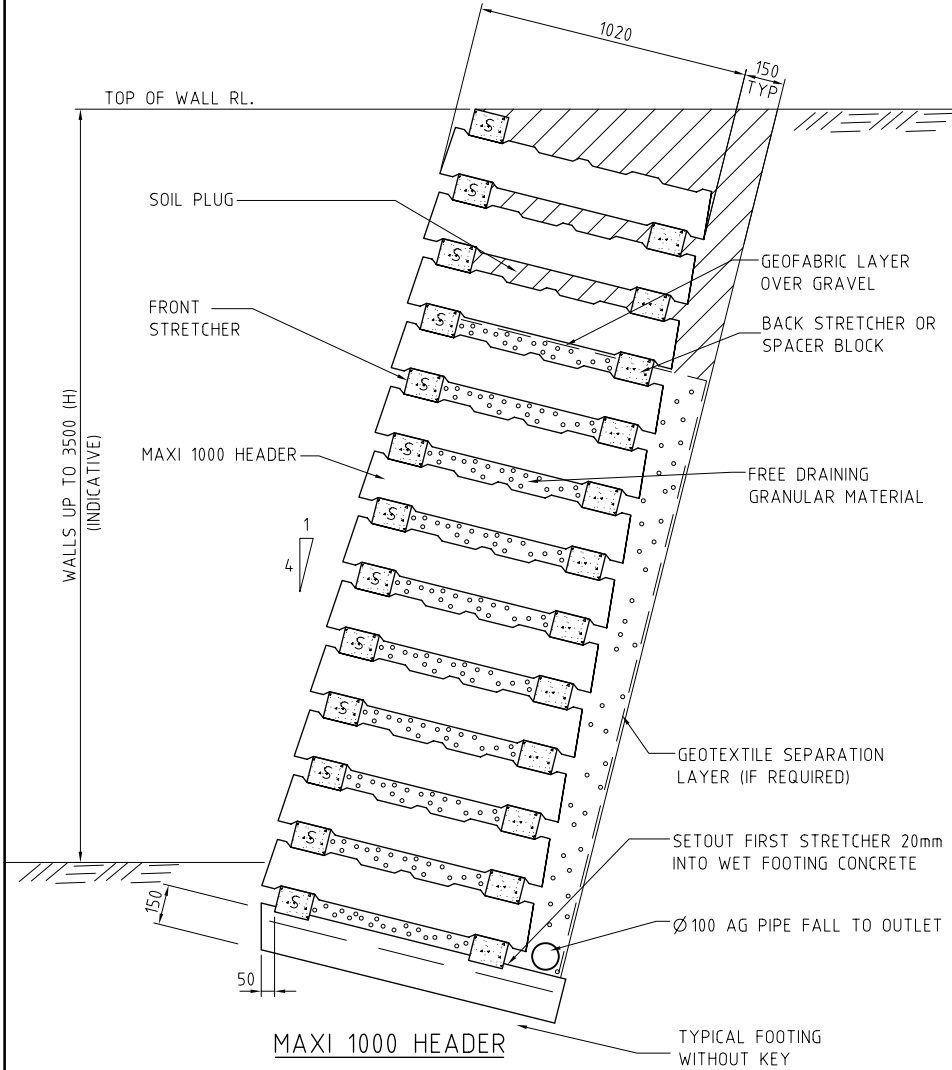
Drawing Title
**STANDARD WALL
MICRO 500 & MIDI 700 SECTIONS**

Scale 1:20 AutoCad Ref _____
Project No RS STD-WALL SEC Dwg. No 6 Revision A

Rev.	Issue/Revision - Revise on CAD	Engineer	Approved	Date
A	FOR INFORMATION PURPOSES			

CONCRIB® SEGMENTAL RETAINING CRIBWALLS SHALL:

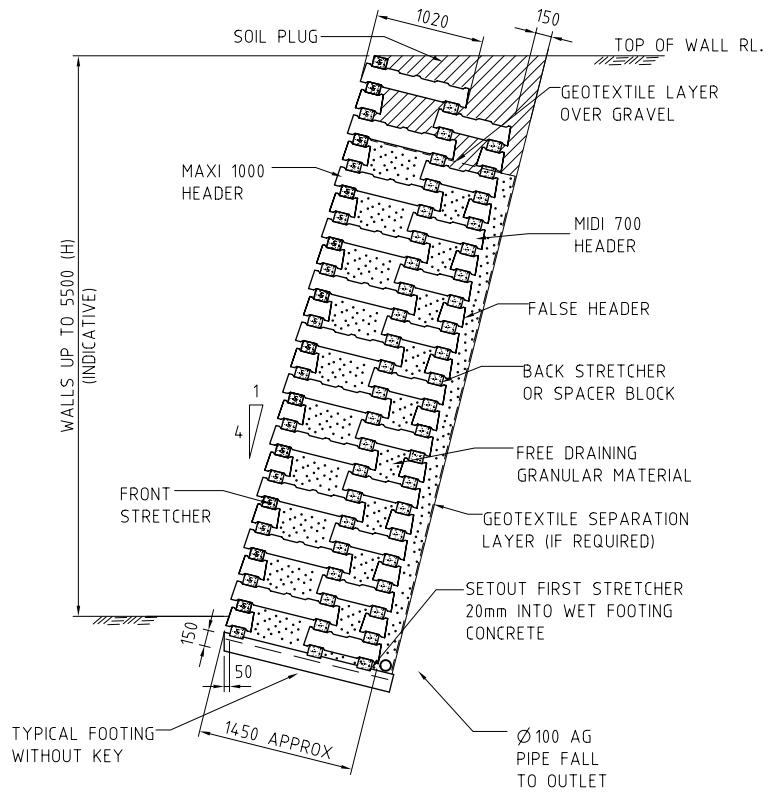
1. BE DESIGNED IN ACCORDANCE WITH AS 4678 - 2002
2. BE CONSTRUCTED IN ACCORDANCE WITH CONCRIB SPECIFICATION MC.01 & MANUFACTURERS RECOMMENDATIONS.
3. HAVE SURFACE AND SUBSURFACE DRAINAGE DESIGNED IN ACCORDANCE WITH AS4678 - 2002
4. HAVE GEOTECHNICAL DESIGN AND VERIFICATION CARRIED OUT BY A SUITABLY QUALIFIED AND EXPERIENCED GEOTECHNICAL ENGINEER (E.G FOUNDATION, SLOPE STABILITY & DRAINAGE DESIGN/SPECIFICATION)



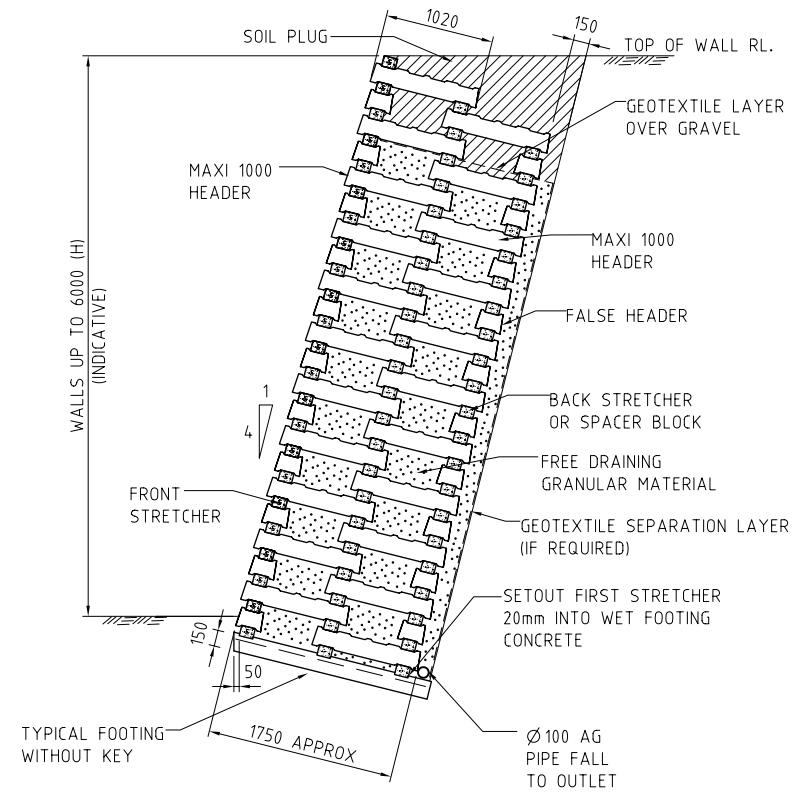
A	FOR INFORMATION PURPOSES			
Rev.	Issue/Revision - Revise on CAD	Engineer	Approved	Date



Designed By	Date	Project Title CONCRIB SEGMENTAL RETAINING CRIBWALLS	Drawing Title STANDARD WALL MAXI 1000 & MACRO 1300 SECTIONS	
Drawn By	Date		Scale 1:20	AutoCad Ref
Approved	Date	Client/Developer	Project No RS STD-WALL SEC	Dwg. No 7
				Revision A



**MAXI/MIDI 1450
DOUBLE HEADER**



**MAXI/MAXI 1750
DOUBLE HEADER**

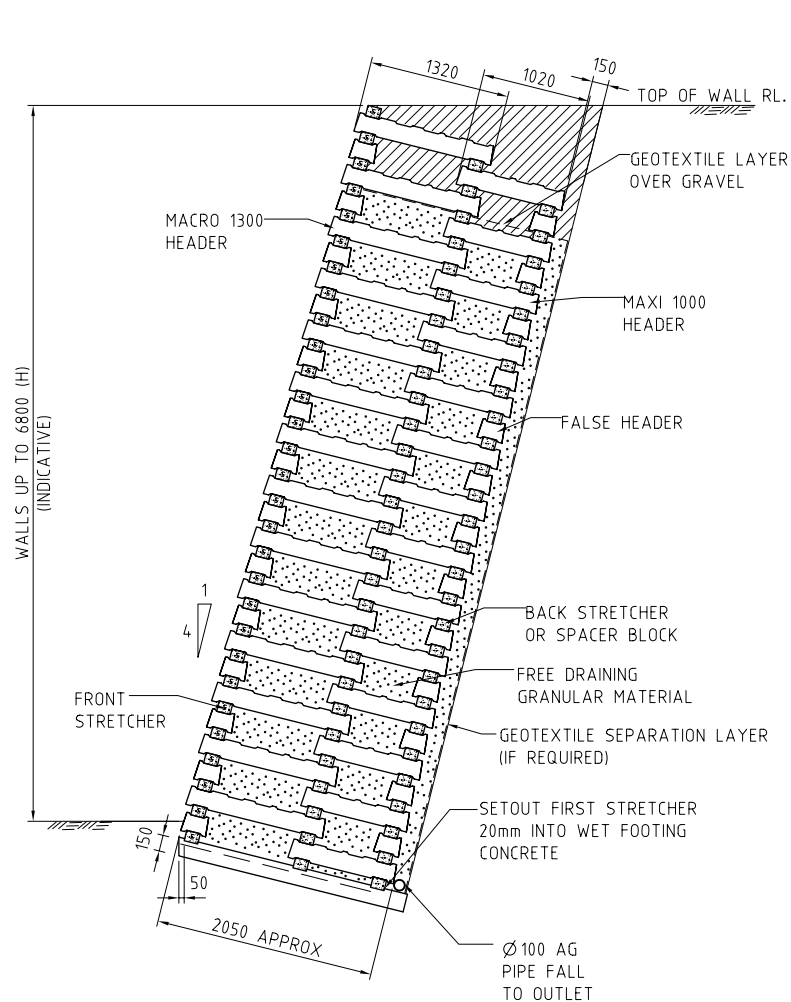
CONCRIB® SEGMENTAL RETAINING CRIBWALLS SHALL:

1. BE DESIGNED IN ACCORDANCE WITH AS 4678 - 2002
2. BE CONSTRUCTED IN ACCORDANCE WITH CONCRIB SPECIFICATION MC.01 & MANUFACTURERS RECOMMENDATIONS.
3. HAVE SURFACE AND SUBSURFACE DRAINAGE DESIGNED IN ACCORDANCE WITH AS4678 - 2002
4. HAVE GEOTECHNICAL DESIGN AND VERIFICATION CARRIED OUT BY A SUITABLY QUALIFIED AND EXPERIENCED GEOTECHNICAL ENGINEER (E.G FOUNDATION, SLOPE STABILITY & DRAINAGE DESIGN/SPECIFICATION)

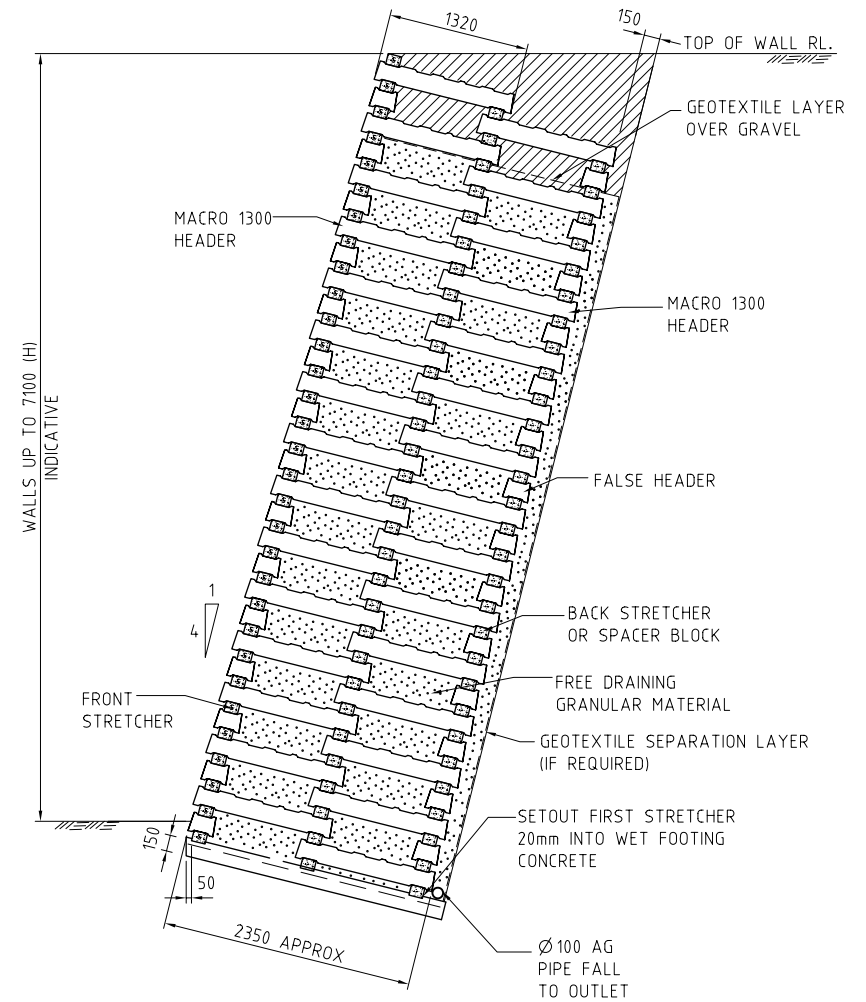


Designed By	Date	Project Title CONCRIB SEGMENTAL RETAINING CRIBWALLS	Drawing Title STANDARD WALL DOUBLE HEADER SECTIONS MAXI/MIDI 1450 & MAXI/MAXI 1750		
Drawn By	Date		Scale 1:50	AutoCad Ref	
Approved	Date	Client/Developer	Project No RS STD-WALL SEC	Dwg. No 8	Revision A

A	FOR INFORMATION PURPOSES	Engineer	Approved	Date
Rev.	Issue/Revision - Revise on CAD			



**MACRO/MAXI 2050
DOUBLE HEADER**



**MACRO/MACRO 2350
DOUBLE HEADER**

CONCRIB® SEGMENTAL RETAINING CRIBWALLS SHALL:

1. BE DESIGNED IN ACCORDANCE WITH AS 4678 - 2002
2. BE CONSTRUCTED IN ACCORDANCE WITH CONCRIB SPECIFICATION MC.01 & MANUFACTURERS RECOMMENDATIONS.
3. HAVE SURFACE AND SUBSURFACE DRAINAGE DESIGNED IN ACCORDANCE WITH AS4678 - 2002
4. HAVE GEOTECHNICAL DESIGN AND VERIFICATION CARRIED OUT BY A SUITABLY QUALIFIED AND EXPERIENCED GEOTECHNICAL ENGINEER (E.G FOUNDATION, SLOPE STABILITY & DRAINAGE DESIGN/SPECIFICATION)



A	FOR INFORMATION PURPOSES	Engineer	Approved	Date
Rev.	Issue/Revision - Revise on CAD			

Designed By	Date
Drawn By	Date
Approved	Date

Project Title	CONCRIB SEGMENTAL RETAINING CRIBWALLS
Client/Developer	

Drawing Title	STANDARD WALL DOUBLE HEADER SECTIONS MACRO/MAXI 2050 & MACRO/MACRO 2350		
Scale	1:50	AutoCad Ref	
Project No	RS STD-WALL SEC	Dwg. No	9
		Revision	A